

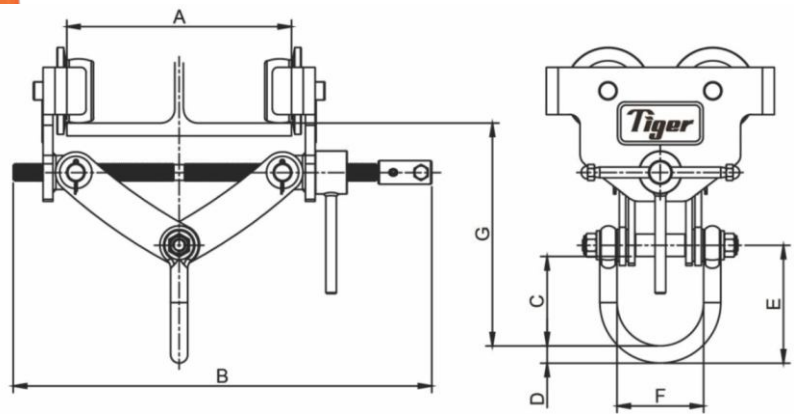
# ADJUSTABLE TROLLEYS & LIFTING BEAM CLAMP

Tiger trolleys are designed to provide smooth and easy traversing, Tiger Universal Beam Clamp are suitable for lifting at any angle

## Adjustable Trolley - BTAPT



- Range from 1t to 6t
- Fitted with a screw spindle which allows easy adjustment and high clamping force to the various flange sizes within its capacity

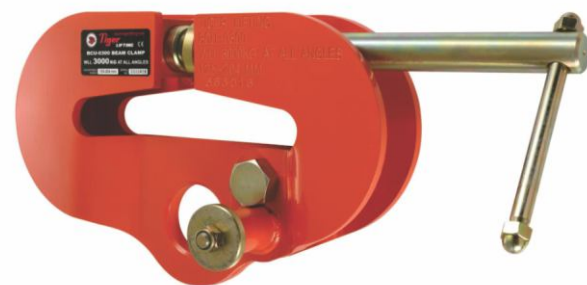


### Technical Specifications

Product Code	Capacity (ton)	A Track Width Range (mm)	Dimensions (mm)						Min. Curve Ratio (mm)	Net Weight (kg)
			B	C	D	E	F	G		
BTAPT010	1	75-210	391	83	16	110	81	255-208	1.0	9.5
BTAPT020	2	75-210	391	94	18	123	89	276-227	1.3	13.5
BTAPT030	3	75-210	403	105	22	141	112	288-241	1.5	23.0
BTAPT060	6	105-305	521	111	27	151	125	358-290	1.5	35.5

- The anti-drop plates design ensures extra safety, and also prevents damage to wheels when contacting end rail stoppers
- Wheels run on sealed ball bearings for smoother rolling with less effort and maintenance
- Operating temperature of -30°C to +50°C (temperature range of -50°C to +50°C available as an option)
- The 5:1 factor of safety allows for use with manual or powered hoists

## Universal - BTBCU



- Full rated capacity at any lifting angle
- 3t and 5t capacities available
- Quick and versatile rigging point for hoisting equipment
- Low headroom design
- Highly flexible- for lifting, pulling or as a semi-permanent anchor point
- Designed for both vertical and side loading applications - **can be loaded at any angle**
- Suitable for pulling and lifting at angles across the beam
- Designed to accommodate a wide range of beam widths
- Multidirectional adjusting screw spindle ensures a high clamping force to beam web
- Operating temperature of -50°C to +50°C
- 4:1 factor of safety
- Complies with ASME B30.20 and EN13155 :2003 +A2 :2009

### Technical Specifications

Product Code	Capacity (ton)	L Track Width Range (mm)	Dimensions (mm)										Net Weight (kg)
			A	B	C	D	E	F	G	H	J	K	
BTBCU030	3.0	125-204	387	60	70	63	32	235	100	25	28	20	15.5
BTBCU050	5.0	125-305	524	70	74	72	32	270	120	25	28	40	27.0

**Warning:** Do not exceed working load limits or use this equipment for lifting flat plate sections

