



MAXIHOIST®

ELECTRIC CHAIN HOIST

Electric Chain Hoist 1 Ton, 2 Ton & 3 Ton Single Fall, Single Speed

- Hoist Body: Manufactured from lightweight aluminium which is rigid allowing for use in extreme working conditions. The design of the cooling fins offers rapid heat dissipation to prevent overheating
- Phase protection relay: Unit will not operate if phases are incorrectly connected
- Limit switch: Durable limit switch device is installed to make the motor stop automatically when safety limits are exceeded
- Side magnetic braking device: The braking device will instantly brake in the case of a power failure or interruption
- Chain bag: The bags are lightweight and durable
- Chain: The chain is imported case hardened grade 80 steel alloy chain
- Pendant control: 48V pendant control for operator safety. The push button is light and durable with an emergency mains cut out
- Hook: Bottom hook rotates 360 degrees and is fitted with a safety latch



MEU020S380
2 Ton Hoist

MEU010S380
1 Ton Hoist



MEU030S380
3 Ton Hoist





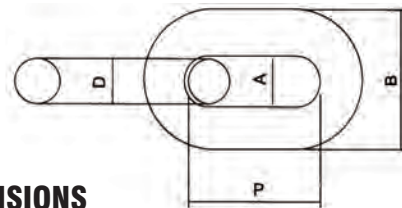
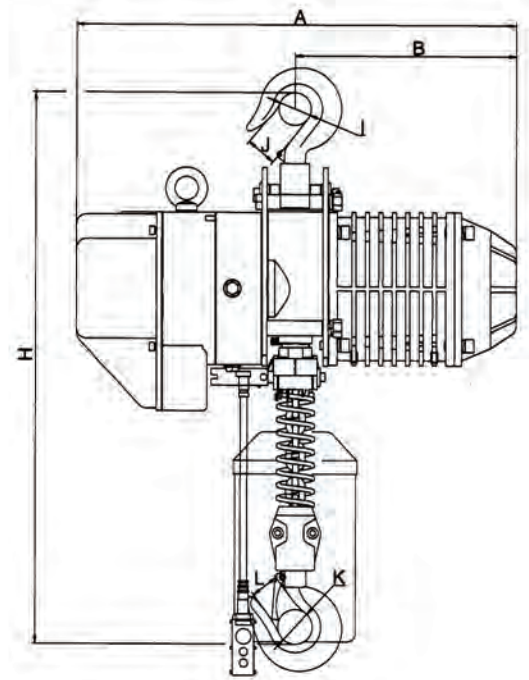
ELECTRIC CHAIN HOIST

Electric Chain Hoist 1 Ton, 2 Ton & 3 Ton Single Fall, Single Speed

HOIST SPECIFICATIONS & DIMENSIONS

Type	Capacity (Ton)	Lifting Height (cm)	Lifting Space (m/min)	Power (kW)	Rotation Speed	Phases	Voltage (V)	Frequency
MEU010S380	1	3/9	6.6	1.5	1440	3	380	50
MEU020S380	2	3/9	6.6	3.0	1440	3	380	50
MEU030S380	3	3/9	5.4	3.0	1440	3	380	50

Type	Capacity (Ton)	H	A	B	D	E	I	J	K	L	M	N	Chain
MEU010S380	1	650	520	260	300	176	Ø42	32	Ø42	32	24	24	Ø7.1
MEU020S380	2	800	615	295	430	265	Ø49	40	Ø49	40	30	30	Ø10.0
MEU030S380	3	845	615	295	430	265	Ø59	48	Ø59	48	35	35	Ø11.2

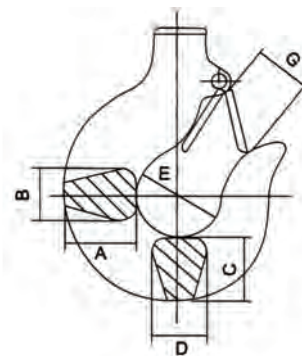


CHAIN SPECIFICATIONS & DIMENSIONS

Applicable Type	Diameter (mm) D	Inside Length (mm) P	Inside Width (mm) A	Outside Width (mm) B	Working Load (Kg)	Guaranteed Load (kN)	Break Load (kN)
MEU010S380	7.1	21	8.9	25	1600	37	61.6
MEU020S380	10.0	30	12.5	35	3200	76	125
MEU030S380	11.2	34	14	39	3800	92	154



Hoist with Hook



HOOK SPECIFICATIONS & DIMENSIONS

Type	Capacity (Ton)	A	B	C	D	E	G
MEU010S380	1	34	24	30	24	42	32
MEU020S380	2	46	29	39	30	49	40
MEU030S380	3	56	35	49	34	59	48

